

## CLAREMONT PEDESTAL LAVATORY, MODEL 2004X/21440

- Contemporary styling, design-matched to Claremont suite products
- Vitreous china construction
- Full color availability
- Art design availability
- With rear overflow
- Faucet ledge
- Faucet holes (1-3/8" dia.) centers listed below:

### ❑ 20041

Lavatory slab with center hole only

### ❑ 20044

Lavatory slab with holes on 4" (102mm) centers

### ❑ 20048

Lavatory slab with holes on 8" (203mm) centers (for spread lavatory faucet only)

### ❑ 21440

Pedestal base only

### Nominal Overall Dimensions:

26-1/2" x 19-1/2" x 34-1/2" (673 x 495 x 876mm)

### Bowl Inside Dimensions:

19-1/2" (495mm) wide

11-1/4" (286mm) front to back

6" (152mm) depth

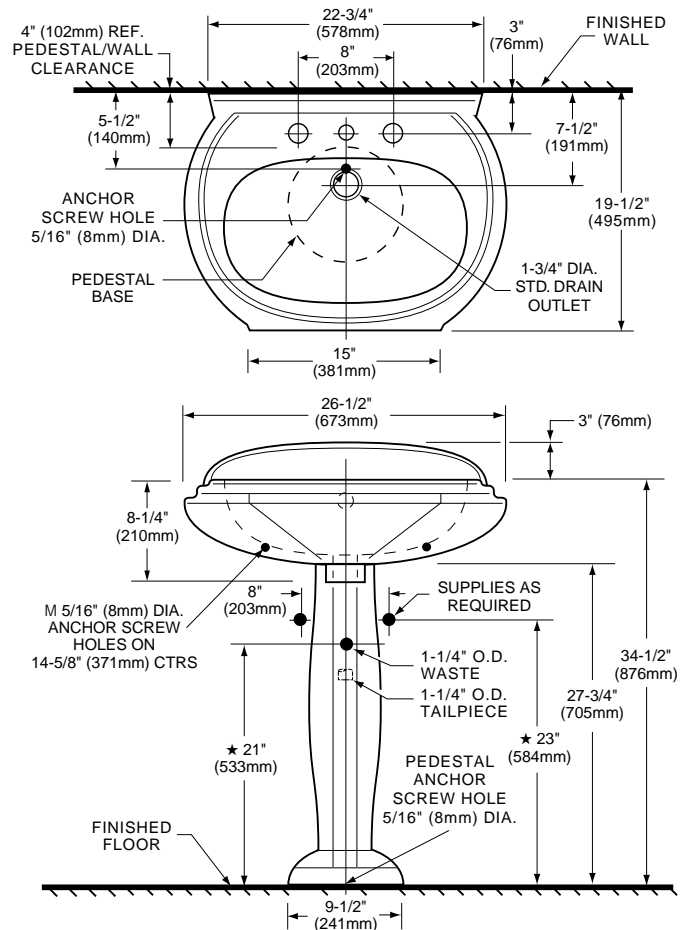
Fixture Dimensions conform to ANSI Standard A112.19.2M

### To Be Specified

- ❑ Color:
- ❑ Art Design:
- ❑ Faucet:
- ❑ Faucet Finish:
- ❑ Supplies:
- ❑ 1-1/4" Trap:
- ❑ Nipple:

### NOTES:

★ DIMENSIONS SHOWN FOR LOCATION OF SUPPLIES AND "P" TRAP ARE SUGGESTED.  
 ■ FOR REINFORCEMENT ONLY. TAKE ACTUAL DIMENSIONS FROM FIXTURE. PROVIDE SUITABLE REINFORCEMENT FOR ALL WALL SUPPORTS. SLAB/PEDESTAL ANCHORS AND MOUNTING FEATURES TO BE FURNISHED BY OTHERS.  
 FITTINGS NOT INCLUDED AND MUST BE ORDERED SEPARATELY. INSTALLATION INSTRUCTIONS SUPPLIED WITH LAVATORY.  
 IMPORTANT: Dimensions of fixtures are nominal and may vary within the range of tolerances established by ANSI Standard A112.19.2M.  
 These measurements are subject to change or cancellation. No responsibility is assumed for use of superseded or voided pages.



SPS 2004X/21440